

2000PC Automatic SMD Parts Counter



Quick Overview

SMD Reel Counter with Pocket Check Fast, accurate component counting with Pocket Check missing part detection

Get on Top of Your Inventory

The automatic 2000PC SMD parts counter sets up and changes over fast. Count out an entire reel or a specific number of parts to prepare for your next job, and know you have got the right amount, thanks to the 2000PC Pocket Check and double-check features.

Exclusive "Pocket Check" Tracks Missing Components

Component reels often are missing components, yet most counters cannot detect this condition. The 2000PC counter not only counts the sprocket holes but also has "Pocket Check," which checks each pocket to verify that the component is actually there. If there is a missed part, the



machine stops and, before continuing, lets operator know total number of missing components. A digital readout continuously updates the true part count by subtracting missing parts.

As an additional benefit, Pocket Check will stop at the end of new reels as they typically have 5-10 inches of empty pockets at the end of tape reel. This prevents the annoyance of spinning tape whiplash.

Ergonomic and Easy to Use

The design of the 2000PC allows the operator to keep an eye on the LCD screen and the parts as they are being counted at the same time. The machine counts forward and back (for double-checking), or parts can be swiftly spooled back to their original reel.

HOW IT WORKS

1. Power the machine

After powering up...

...the LCD displays:	...and changes to:	...followed by:
SMD CHIP COUNTER TTL-COU2000	YY MM DD HH : MM 20 04 12 03 14 : 30	DATA PITCH SET 00000 1

The startup self-checking process is finished at this time.

2. Keys and Settings

TIME key: Clock setting. Press this key shortly will display the date and time on the LCD. Press and hold it for 10 seconds will switch to time setting mode:

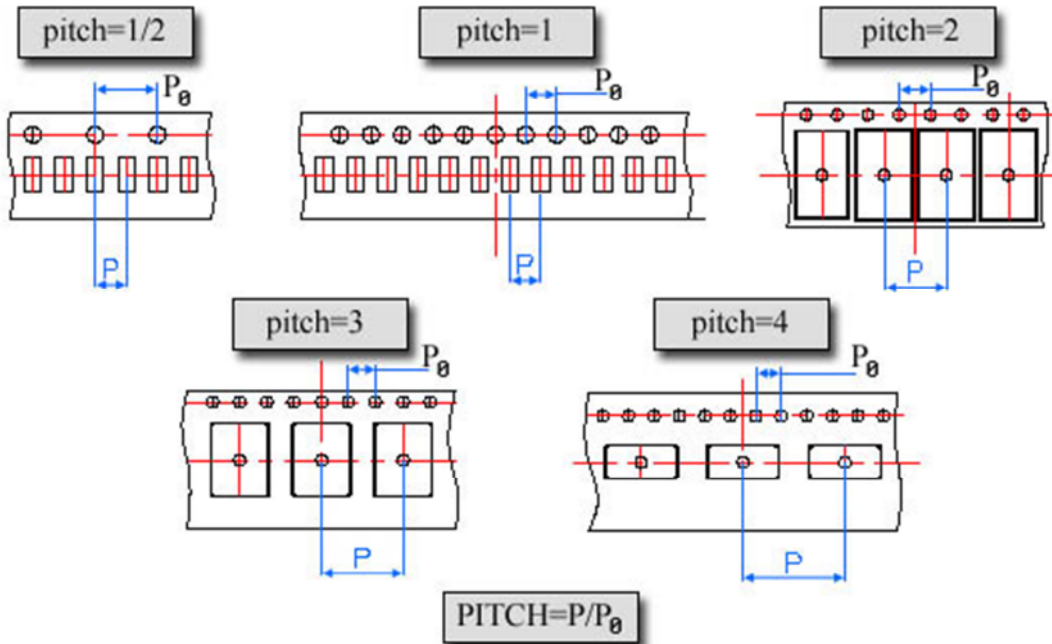
YY MM DD HH : MM 20 ** ** ** ** : **

Enter the current date and time. Press the TIME key again to exit. **POCKET CHECK** key: Press this key will start the missing components detection process. LCD will display a "@" symbol on the upper left corner. The machine stops and beeps if it detects an empty position on the tape. Press this key again will switch to normal operation mode. This function is available only on BC2100PT and BC2200 models.

@ DATA PITCH SET 00000 1

PRINT key: Print components quantity and current time. It can also print bar code. This function is available on BC2100P, BC2100PS and BC2200. It only prints positive numbers.

PITCH key: This key will set the tape pitch. According to EIA-481 standard, available pitches(P:PO ratio) are: 1/2, 1, 2, 3, 4, 5, 6, 7, 8, 9, 10, 11, 12, 13, 14,...Press the PITCH key repeatedly till the LCD displays the required pitch.



It can be seen that pitch equals the number of puncture holes between two parts (gaps between two holes are 4mm on all tapes). **PRESET** key: Press this key and enter the desired number. The machine counts to this preset number and stops. Pressing the key again will return to normal mode.

DATA PITCH SET
00000 1 1234

Note: Preset value is invalid if >59999.

CLEAR key: Reset the counter.

START key: Start the counting. Motors start moving, the tape transfers from one reel to the other.

STOP key: Stop counting.

REWIND key: Pressing this key rewinds the tape from the temp reel to the original reel. The counter decrements at the same time. It stops when the counter reaches zero. This also verifies the accuracy of the counting.

3. Operation



- Mount the reel to be counted on the left side. Make sure there is a temp reel on the right side. Manually lead the tape through the counting gears. Rotate the temp reel till the first component is aligned with the press wheel.
- Set the pitch value as specified above.
- Press the START key to start counting. Note: the counter increases or decreases whether it is moved by the motors or manually.
- Rewind the tape back to the original reel by pressing the REWIND key. Rewinding also verifies the counting result.

2000PC Component Counter Features

- Count forward and backward
- Can complete a 7", 5000-part reel in 90 seconds (with pitch = 1)--including double-checking
- Double-check feature ensures accuracy
- Pocket-check feature stops counting and sounds an alarm when an empty pocket is encountered
- Built-in memory allows you to preset count quantity
- Designed to prevent tape dropping, minimizing risk of damage to tapes
- Accommodates 7" and 13" reels
- Maximum reel diameter 18" (457 mm)
- A must at inventory time

2000PC Parts Counter - Specifications

Counter Range -59,999 to 59,999

Power 110V AC standard (220V optional)

Dimensions 17" x 9.25" x 10" (432 x 235 x 254mm)

Weight 21lbs (9.5 Kgs)